



OVALNI ZASUNI PREMA DIN-u 3352 PN 10/16 DN 40 – 600

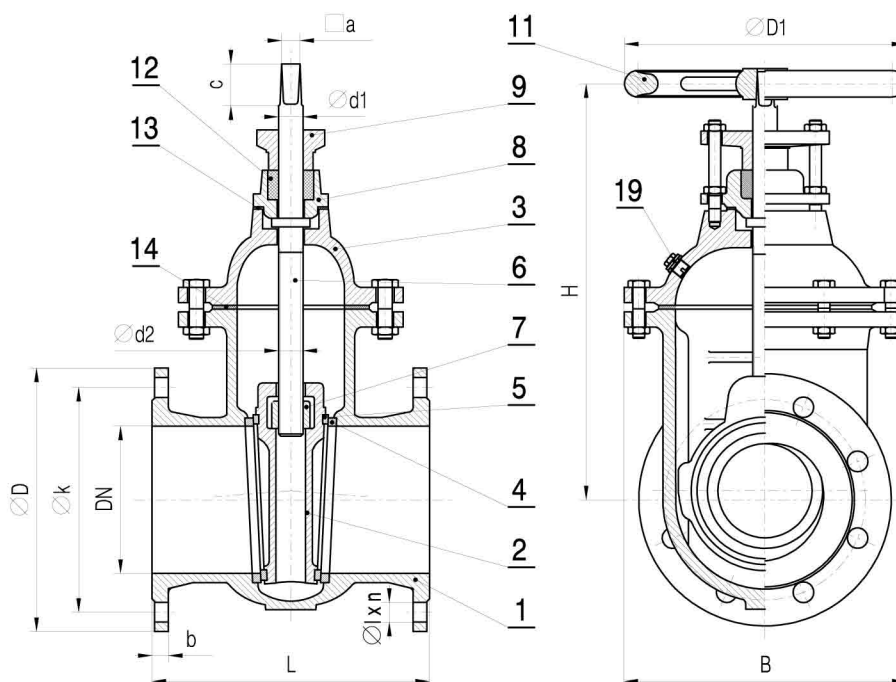
OVALABSPERRSCHIEBER NACH DIN 3352 PN 10/16 DN 40 – 600

GATE VALVE WITH OVAL BODY ACCORDING TO DIN 3352 PN 10/16 DN 40 – 600

Broj artikla
Artikelnummer
Model N°

V2 – 10

1



| DN | L | H | B | PN 10 | | | | PN 16 | | | | d ₁ -d ₂ | a | c | D ₁ | Br. okr. vretena za podizaj klina Umdr. / Hub. Turns / lift | d ₃ | d ₄ | Težina zasuna Gewicht von Schieber weight of gate valve | | |
|-----|-----|------|-----|-------|-----|----|----|-------|-----|----|----|--------------------------------|----|----|----------------|--|----------------|----------------|---|-----|----|
| | | | | D | k | n | l | D | k | n | l | | | | | | | | kg | kg | kg |
| 40 | 240 | 250 | 150 | 150 | 110 | 4 | 19 | 150 | 110 | 4 | 19 | 20 | 14 | 29 | 180 | 15 | | R 1/2" | 14 | 2 | |
| 50 | 250 | 265 | 160 | 165 | 125 | 4 | 19 | 165 | 125 | 4 | 19 | 20 | 14 | 29 | 180 | 18 | | R 1/2" | 16 | 2 | |
| 65 | 270 | 320 | 205 | 185 | 145 | 4 | 19 | 185 | 145 | 4 | 19 | 24 | 17 | 34 | 225 | 18 | | R 1/2" | 22 | 3 | |
| 80 | 280 | 335 | 220 | 200 | 160 | 8 | 19 | 200 | 160 | 8 | 19 | 24 | 17 | 34 | 225 | 21 | | R 1/2" | 30 | 3 | |
| 100 | 300 | 380 | 260 | 220 | 180 | 8 | 19 | 220 | 180 | 8 | 19 | 26 | 19 | 38 | 280 | 24 | | R 1/2" | 37 | 4,5 | |
| 125 | 325 | 448 | 295 | 250 | 210 | 8 | 19 | 250 | 210 | 8 | 19 | 28 | 19 | 38 | 320 | 30 | | R 1/2" | 55 | 6 | |
| 150 | 350 | 480 | 330 | 285 | 240 | 8 | 23 | 285 | 240 | 8 | 23 | 28 | 19 | 38 | 320 | 36 | | R 1/2" | 75 | 6 | |
| 175 | 375 | 540 | 370 | 315 | 270 | 8 | 23 | 315 | 270 | 8 | 23 | 30 | 24 | 42 | 360 | 34 | | R 1/2" | 95 | 8 | |
| 200 | 400 | 600 | 400 | 340 | 295 | 8 | 23 | 340 | 295 | 12 | 23 | 32 | 24 | 42 | 360 | 38 | | R 1 1/4" | 116 | 8 | |
| 250 | 450 | 710 | 460 | 395 | 350 | 12 | 23 | 405 | 355 | 12 | 28 | 36 | 27 | 47 | 400 | 47 | 25 | R 1 1/4" | 172 | 10 | 12 |
| 300 | 500 | 800 | 550 | 445 | 400 | 12 | 23 | 460 | 410 | 12 | 28 | 36 | 27 | 47 | 500 | 56 | 25 | R 1 1/4" | 225 | 15 | 12 |
| 350 | 550 | 890 | 585 | 505 | 460 | 16 | 23 | 520 | 470 | 16 | 28 | 40 | 27 | 47 | 500 | 55 | 40 | R 1 1/2" | 317 | 15 | 30 |
| 400 | 600 | 1000 | 670 | 565 | 515 | 16 | 28 | 580 | 525 | 16 | 31 | 44 | 32 | 55 | 640 | 62 | 40 | R 1 1/2" | 440 | 25 | 30 |
| 500 | 700 | 1200 | 820 | 670 | 620 | 20 | 28 | 715 | 650 | 20 | 34 | 50 | 36 | 66 | 720 | 68 | 50 | R 1 1/2" | 695 | 30 | 40 |
| 600 | 800 | 1360 | 960 | 780 | 725 | 20 | 31 | 840 | 770 | 20 | 37 | 50 | 36 | 66 | 720 | 82 | 65 | R 1 1/2" | 980 | 30 | 55 |

Narudžba:

- Narudžba mora sadržavati slijedeće podatke:
- Broj artikla: V2-10
 - Nazivni promjer, npr. DN 200
 - Nazivni pritisak, npr. PN 16
 - Prikjučne mjere priрубnice prema EN1092-2
 - Posebni zahtjevi

Bestellung:

- Bei Bestellung bitte angeben:
- Artikelnummer: V2-10
 - Nennweite z. B. DN 200
 - Nenndruck, Z. B. PN 16
 - Anschlussmaße der Flansche nach EN 1092-2
 - Besondere Wünsche

Ordering:

- When ordering please state:
- Model number: V2-10
 - Nominal size e.g. DN 200
 - Nominal pressure, e.g. PN 16
 - Flange connection dimensions acc. to EN 1092-2
 - Special requirements



Metalska industrija Varaždin d.d.



Address: Bul. Partizanski Odredi #72 A 1000 Skopje, R. Macedonia
Tel: ++ 389 2 307 7727 E-mail: info@spik-insa.com