

OVALNI ZASUNI ZA DOKOVE PREMA DIN 3225

DOCKSCHIEBER ENTSPRECHEND DIN 3225

WEDGE GATE VALVE FOR DOCK ACC. TO DIN 3225



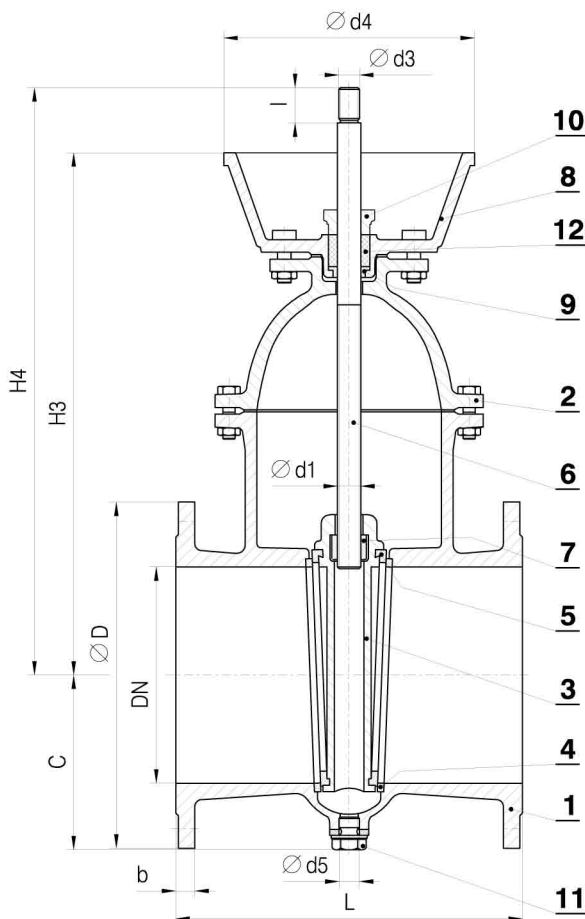
NAZIVNI PROMJER NENNWEITE NOMINAL SIZE DN	NAZIVNI TLAK NENNDRUCK PRESSURE RATING PN bar	PRIRUBNICE FLANSCH EN 1092-2 (DIN 2501) bar	VODNI ISPITNI TLAK WASSERPRÜFDRUCK TEST PRESSURE bar		DOZVOLJENI RADNI TLAK KOD TEMPERATURE 70°C ZULÄSSIGER DRUCK BEI TEMPERATUR 70°C ADMISSIBLE PRESSURE AT TEMPERATURE 70°C bar	
			KUČIŠTE GEHAUSE BODY	ZATVORENO IM ABSCHLUSS CLOSED		
150-700	10	10	16	10	2,5	

Broj artikla
Artikelnummer
Model N°
V2 – 01/D

NAMJENA: ZA PLIVAJUĆE I SUHE DOKOVE, MORSKA I SLANA VODA
VERWENDUNG: SCHWIMM- UND TROCKENDOCKS, SEEWASSER UND SALZWASSER
APPLICATION: FLOATING DOCKS AND DRY DOCKS; SEAWATER AND SALTED WATER

Ugradna mjera: EN 558-1 SERIJA 15 (DIN 3202 red F 5)
Baulängenreihe: EN 558-1 SERIES 15 (DIN 3202 Reihe F 5)
Face to face: EN 558-1 SERIES 15 (DIN 3202 Series F 5)

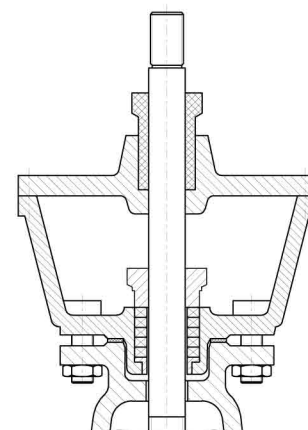
ISPITIVANJE IZVRŠENO PREMA EN 12266 (DIN 3230)
FERTIGUNGSKONTROLLE NACH EN 12266 (DIN 3230)
TEST ACCORDING TO EN 12266 (DIN 3230)



POZ TEIL PART	MATERIJAL PO DIN-u WERKSTOFF NACH DIN MATERIAL ACC TO DIN	MATERIJAL PO DIN-u WERKSTOFF NACH DIN MATERIAL ACC TO DIN
1	EN-GJS-500-7	GGG 50
2	EN-GJS-500-7	GGG 50
3	EN-GJS-500-7	GGG 50
4	CC 480 K	CuSn10
5	CC 480 K	CuSn10
6	X20 Cr13	X20 Cr13
7	CC 484 K	CuSn12Ni
8	EN-GJS-500-7	GGG 50
9	CC 480 K	CuSn 10
10	EN-GJS-500-7	GGG 50
11	A2	A2
12	PTFE	PTFE

Ostali materijali na upit.
Andere Werkstoffe auf Anfrage.
Other materials on request.

Zatvorena vodena posuda
Geschlossene Wassertasse
Closed water sealing cup



DN	b	C	D	d ₁	d ₃	d ₄	d ₅	H ₃	H ₄	L	I	m kg
150	24	135	285	28	R 3/4"	200	R 3/4"	480	600	350	50	90
175	26	170	315	30	R 7/8"	220	R 3/4"	535	635	375	50	125
200	26	180	340	32	R 7/8"	220	R 3/4"	625	685	400	60	150
250	28	190	395	36	R 1"	244	R 3/4"	670	815	450	60	209
300	28	240	445	36	R 1"	300	R 3/4"	780	885	500	60	280
350	30	255	505	40	R 1 1/8"	300	R 3/4"	890	1000	550	60	350
400	32	275	565	44	R 1 1/4"	300	R 3/4"	990	1100	600	60	485
500	34	370	670	50	R 1 1/2"	320	R 3/4"	1210	1350	700	75	786
600	36	410	780	50	R 1 1/2"	320	R 3/4"	1305	1510	800	75	1030
700	40	475	895	55	R 1 3/4"	390	R 3/4"	1620	1700	900	80	1500