



Broj artikla
 Artikelnummer
 Model N°
V2 – 10

| NAZIVNI PROMJER NENNWEITE NOMINAL SIZE DN | NAZIVNI TLAK NENNDRUCK PRESSURE RATING PN bar | PRIRUBNICE FLANSCH EN 1092-2 (DIN 2501) bar | VODNI ISPITNI TLAK WASSERPRÜFD RUCK TEST PRESSURE bar | | DOZVOLJENI RADNI TLAK KOD TEMPERATURE ZULÄSSIGER DRUCK BEI TEMPERATUR ADMISSIBLE PRESSURE AT TEMPERATURE | |
|---|--|---|--|-------------------------------------|---|--------------------------|
| | | | KUČIŠTE GEHAUSE BODY | ZATVORENO IM ABSCHLUSS CLOSED | TEKUĆINE DO 120°C | TEKUĆINE DO max 200°C |
| 40 – 600 | 16 | 16 | 25 | 16 | 14 | 10 |
| 40 – 600 | 10 | 10 | 16 | 10 | 8 | 4,5 |

NAMJENA: VODA, PITKA VODA, PLIN, PARA I VRELA VODA, NAFTA, ZRAK
 VERWENDUNG: WASSER, TRINKWASSER, GAS, DAMPF UND HEISSWASSER, ÖL, LUFT
 APPLICATION: WATER, DRINKING-WATER, GAS, STEAM AND BOILING WATER, OIL, AIR

Ugradna mjera: EN 558-1 SERIJA 15 (DIN 3202 red F 5)
 Baulängereihe: EN 558-1 SERIES 15 (DIN 3202 Reihe F 5)
 Face to face: EN 558-1 SERIES 15 (DIN 3202 Series F 5)

ISPITIVANJE IZVRŠENO PREMA EN 12266 (DIN 3230)
 FERTIGUNGSKONTROLLE NACH EN 12266 (DIN 3230)
 TEST ACCORDING TO EN 12266 (DIN 3230)

Prirubnice izvedene za ugradnju prema EN 1092-2 (DIN 2501) ili na zahtjev prema DIMA 1882, UNI, BS, ANSI, NF

Einbaufansche nach EN 1092-2 (DIN 2501) oder auf Anfrage nach DIMA 1882, UNI, BS, ANSI, NF.
 Installation flanges according to EN 1092-2 (DIN 2501) or on request according to DIMA1882, UNI, BS, ANSI, NF

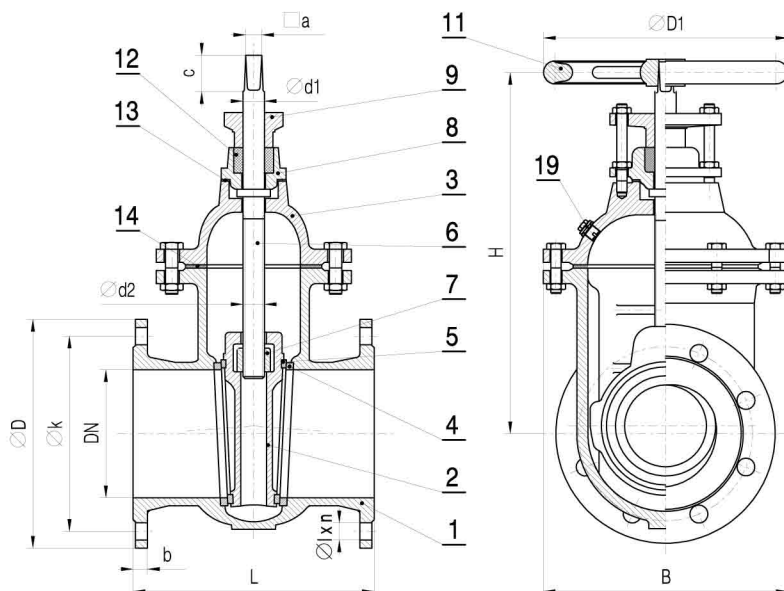
Upravljanje ručnim kolom. Na zahtjev hidrauličko ili pneumatičko upravljanje, elektromotorni pogon, reduktor.

Handradbetätigung. Auf Anfrage hydraulische oder pneumatische Steuerung, Elektroantrieb, Reduktionsgetriebe.

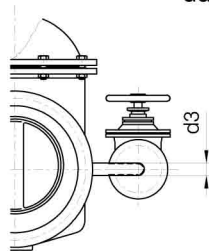
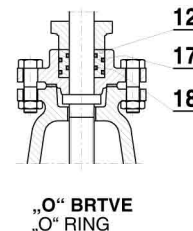
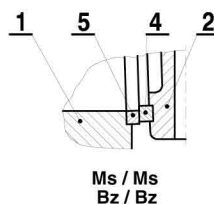
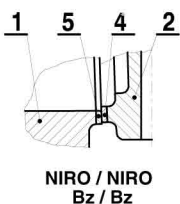
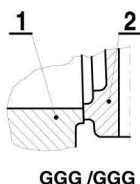
Hand wheel operation. On request hydraulic or pneumatical actuation, electric actuator, step-down gear.

| POZ TEIL PART | MATERIJAL PO EN-u WERKSTOFF NACH EN MATERIAL ACC TO EN | MATERIJAL PO DIN-u WERKSTOFF NACH DIN MATERIAL ACC TO DIN |
|---------------------|--|---|
| 1 | EN-GJS-500-7 | GGG 50 |
| 2 | EN-GJS-500-7 | GGG 50 |
| 3 | EN-GJS-500-7 | GGG 50 |
| 4, 5 | CC493K | CuSn7ZnPb |
| - | - | CuAl 8 |
| - | X5CrNi 18-10 | X5CrNi 18 10 |
| - | - | NiFe 2 |
| - | CW 508 L | CuZn 37 |
| 6 | X20Cr13 | X20Cr13 |
| 7 | EN-GJS-500-7 | GGG 50 |
| - | CC484K | CuSn 12 Ni |
| 8 | EN-GJS-500-7 | GGG 50 |
| - | CC493K | CuSn7ZnPb |
| 9 | EN-GJS-500-7 | GGG 50 |
| - | CC493K | CuSn7ZnPb |
| 11 | EN-GJL-250 | GG 25 |
| 12 | PTFE | PTFE |
| 12 | CC480K | CuSn 10 |
| 13 | ARAMID | ARAMID |
| 14 | ARAMID | ARAMID |
| 15 | CC750S | CuZn33Pb |
| 16 | X20Cr13 | X20Cr13 |
| 17, 18 | EPDM | EPDM |
| 19 | A2 | A2 |

Ostali materijali na upit.
 Andere Werkstoffe auf Anfrage.
 Other materials on request.



BRTVLJENJE
 ABDICHTUNG
 SEALING



UGRADBENA GARNITURA
 EINBAUGARNITUR
 INSTALLATION EQUIPMENT

RD 1m;
 1,25m;
 1,5m