

**PLOSNATI ZASUN ZA DOKOVE PREMA DIN 3352**

**FLACHABSPERRDOCKSCHIEBER ENTSPRECHEND DIN 3352**

**GATE VALVE WITH FLAT BODY FOR DOCK ACC. TO DIN 3352**



NAZIVNI PROMJER NENNWEITE NOMINAL SIZE  <b>DN</b>	NAZIVNI TLAK NENNDRUCK PRESSURE RATING  <b>PN bar</b>	PRIRUBNICE FLANSHE EN 1092-2 (DIN 2501)  <b>bar</b>	VODNI ISPITNI TLAK WASSERPRÜFDRUCK TEST PRESSURE <b>bar</b>		DOZVOLJENI RADNI TLAK KOD TEMPERATURE 70° ZULÄSSIGER DRUCK BEI TEMPERATUR 70° ADMISSIBLE PRESSURE AT TEMPERATURE 70° <b>bar</b>
			KUČIŠTE GEHAUSE BODY	ZATVORENO IM ABSCHLUSS CLOSED	
150-700	4	10	6	4	4

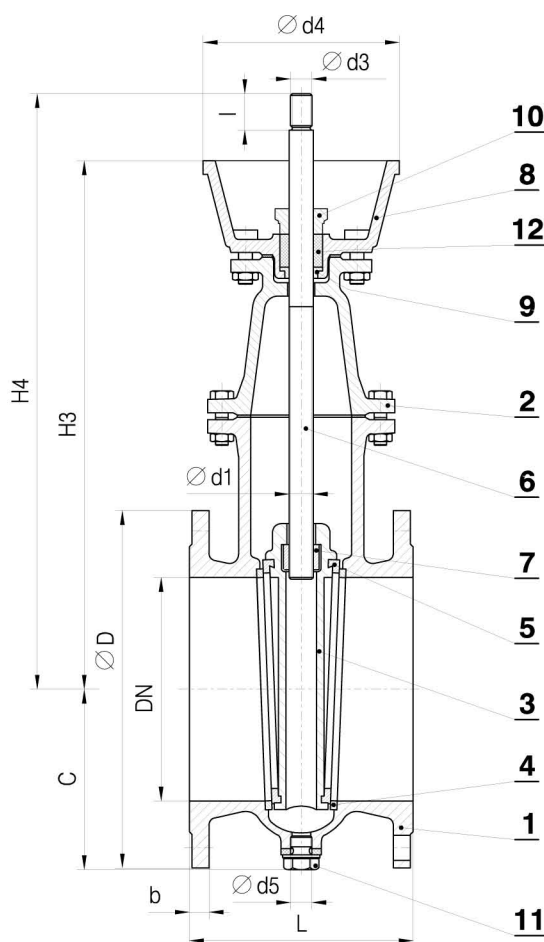
**Broj artikla  
Artikelnummer  
Model N°**

**V1 – 08/D**

NAMJENA: ZA PLIVAJUĆE I SUHE DOKOVE, MORSKA I SLANA VODA  
 VERWENDUNG: SCHWIMM- UND TROCKENDOCKS, SEEWASSER UND SALZWASSER  
 APPLICATION: FLOATING DOCKS AND DRY DOCKS; SEAWATER AND SALTED WATER

Ugradna mjera: EN 558-1 SERIJA 14 (DIN 3202 red F 4)  
 Baulängenreihe: EN 558-1 SERIES 14 (DIN 3202 Reihe F 4)  
 Face to face: EN 558-1 SERIES 14 (DIN 3202 Series F 4)

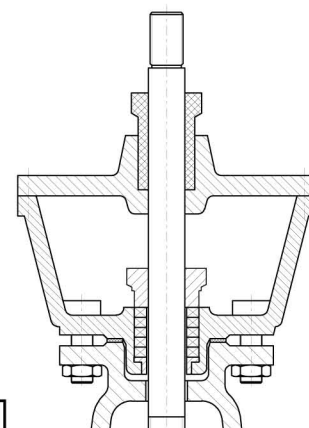
ISPITIVANJE IZVRŠENO PREMA EN 12266 (DIN 3230)  
 FERTIGUNGSKONTROLLE NACH EN 12266 (DIN 3230)  
 TEST ACCORDING TO EN 12266 (DIN 3230)



POZ TEIL PART	MATERIJAL PO EN-u WERKSTOFF NACH EN MATERIAL ACC TO EN	MATERIJAL PO DIN-u WERKSTOFF NACH DIN MATERIAL ACC TO DIN
1	EN-GJS-500-7	GGG 50
2	EN-GJS-500-7	GGG 50
3	EN-GJS-500-7	GGG 50
4	CC 480 K	CuSn10
5	CC 480 K	CuSn10
6	X20 Cr13	X20 Cr13
7	CC 484 K	CuSn12Ni
8	EN-GJS-500-7	GGG 50
9	CC 480 K	CuSn 10
10	EN-GJS-500-7	GGG 50
11	A2	A2
12	PTFE	PTFE

Ostali materijali na upit.  
 Andere Werkstoffe auf Anfrage.  
 Others Material on request.

**Zatvorena vodena posuda**  
 Geschlossene Wassertasse  
 Closed water sealing cup



DN	b	C	D	d <sub>1</sub>	d <sub>3</sub>	d <sub>4</sub>	d <sub>5</sub>	H <sub>3</sub>	H <sub>4</sub>	L	I	m kg
150	24	135	285	23	R 1/2"	200	R 3/4"	480	600	210	50	50
175	26	170	315	23	R 5/8"	220	R 3/4"	535	635	220	50	66
200	26	180	340	23	R 5/8"	220	R 3/4"	625	685	230	60	77
250	28	190	395	23	R 5/8"	244	R 3/4"	670	815	250	60	105
300	28	240	445	23	R 3/4"	300	R 3/4"	780	885	270	60	130
350	30	255	505	23	R 7/8"	300	R 3/4"	890	1000	290	60	173
400	32	275	565	28	R 7/8"	300	R 3/4"	990	1100	310	60	226
500	34	370	670	28	R 1 1/8"	320	R 3/4"	1210	1350	350	75	360
600	36	410	780	31	R 1 1/8"	320	R 3/4"	1305	1510	390	75	520
700	40	475	895	31	R 1 1/4"	390	R 3/4"	1620	1700	430	80	740